

C20 Camera



Main Features

- ◆ 1920*1080@30fps Resolution
- ◆ Built-in power loss protection
- ◆ Supports N9M and ONVIF protocol
- ◆ Supports intelligent algorithms -bus lane enforcement, etc.
- ◆ POE(DC48V) or PON(DC12V)
- ◆ Anti-vibration
- ◆ Solves the problem of front windshield reflection

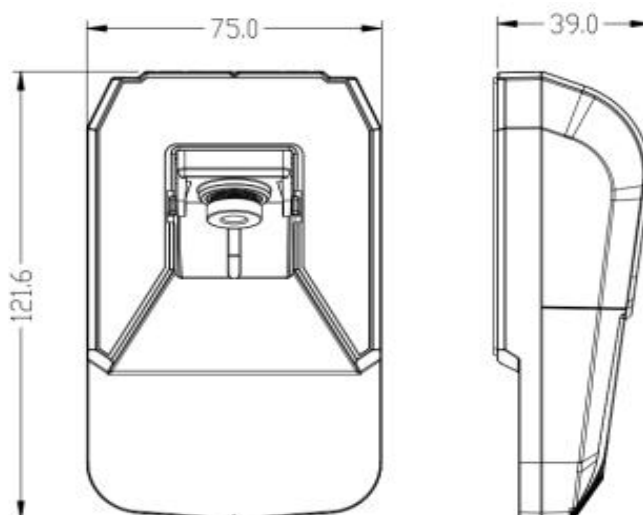
Overview

Streamax camera monitor systems is the perfect solution for various kinds of vehicles, including bus, coach, tipper, van, road sweeper, fuel tanker.....The vehicle-mounted CCTV cameras enable drivers and operator to check anytime what happen inside and outside of the vehicle by delivering a live feed on the monitor of everything in the camera view, including people or obstacles. Moreover, fitted with Infra-Red LEDs for improved night vision and combined with a robust, durable casing, the operation system offers unrivalled performance and clarity.

Specification

Model	927C20
Sensor	1/2.8" 2M Pixel CMOS
Resolution	1920(H)x1080(V)
Minimum illumination	0.5Lux(Color Illumination), F1.2
Electronic shutter	1/30 Second -1/10000 Second
Black-light compensation	Support
S/N	≥48db
Lens	2.8mm,4mm ,8MM M12, fixed aperture F1.8
FOV(2.8mm)	H*V 106*57°
FOV(4mm)	H*V 84*46°
FOV(8mm)	H*V 36*20
Video compression	H.264,H.265
Compression output rate	512Kbps-8Mbps
Image resolution	Main Stream:1080p (720P optional) @ 30fps
	Sub Stream 1:VGA/WD1/D1/QVGA/CIF @ 30FPS
	Network stream:dynamic(adjustable)
CBR/VBR	Support
Audio compression standard	ADPCM,G.711A,G.711U,G.726
Audio input	Built-in mic
Audio collection distance	5m max.
Network port	10M/100M adjustable Ethernet network port

Network protocol	TCP/IP,HTTP,DHCP,RTSP,NTP,FTP
N9M	Support
ONVIF	Support
Client terminal preview	Built-in WEB server; Support IE browser
Installation method	Stick to the front windshield of the vehicle (available with a bevel about 19 to 90 degrees)
Temperature	-40°C-- +70°C
Humidity	0% - 90%
Power supply	DC 12V(PON), POE(802.3af)
Power	PON<2.5W,POE<3.5W
Dimension (mm)	121.6MM(L)x75MM(W)x39MM(H)

Dimension (Unit: mm)

Solution Reference

