

Mini Dome Camera



Main Features

- ◆ 1.3M pixel CMOS
- ◆ 2.5\2.8\3.6MM optional
- ◆ Easy to assemble and install; lockable angle and anti-vibration design
- ◆ Perfect solutions for vehicle monitoring, bus, coach, tipper, van, road sweeper, fuel tanker

Overview

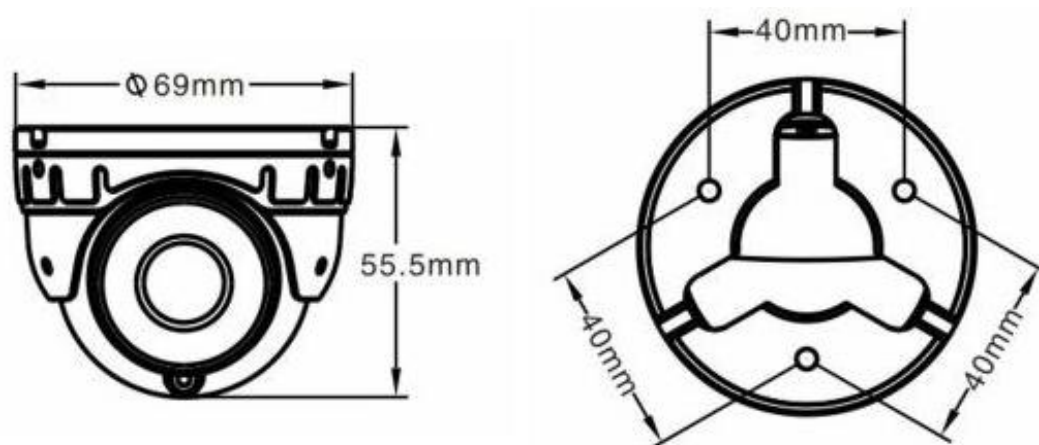
Streamax Mini Dome Camera housing is made of metal and built to survive in rugged and vandal susceptible environments. Vibration and thermal tested, the powerful camera is an excellent choice for various mobile environments. Utilizing the Sony CMOS imaging sensor, it provides outstanding image quality in both day and night lighting conditions. Besides, it also included an integrated microphone which is able to captures clear audio.

Specification

Model	SVT6220H(AHD 1080P)	SVT-6210H(AHD 720P)	SVT-M5270H(CVBS 800TVL)
CMOS	1/2.9" 2M pixel CMOS	1/3" 1.3M pixel CMOS	1/3" 1.3M pixel CMOS
Resolution	1920H*1080V	1280H*720V	800 TVL
Format	NTSC/PAL		
Minimum illumination	0.1Lux(IR off) /0Lux (IR on) F1.2		
IR distance	3~5m	5~8m	5~8m
S/N	≥ 45dB	≥ 52dB	≥ 52dB
Lens	2.8,3.6mm M12(Optional)	2.5,2.8,3.6mm M12(Optional)	2.5,2.8,3.6mm M12(Optional)
FOV	NC	2.5mm H*V 105*61°	2.5mm H*V 105*61°
	2.8mm H*V 90*47°	2.8mm H*V 88*50°	2.8mm H*V 88*50°
	3.6mm H*V 81*42°	3.6mm H*V 72*41°	3.6mm H*V 72*41°
Video output	1.0Vp-p AHD video output 75 Ω, 4pin DIN JACK	1.0Vp-p AHD video output, 75 Ω, 4pin DIN JACK	1.0Vp-p Composite video output, 75 Ω, 4pin DIN JACK
Audio	Built-in mic		
Power	DC12V± 10%		

Consumption(Max.)	120mA/DC12V ± 5%
Working temperature	-40°C ~+ 70°C
Dimension	69(W)*55.5(H)mm
Weight	About 168g

Dimension (Unit: mm)



Solution Reference

