

X5N-E0804

Specifications



Introduction

X5N-E0804 is a cost-effective device specially developed for mobile video surveillance and remote video monitoring, featuring high functional scalability. It is equipped with a high-speed processor and an embedded operating system, integrating state-of-the-art H.265 video compression/decompression technologies, 3G/4G/Wi-Fi wireless network transmission technologies, and GPS/BDS positioning technologies in the IT industry. It adopts the latest processor solution and supports recordings in formats of 1080p, 720p, WD1, WHD1, WCIF, D1, HD1, and CIF. Moreover, it allows real-time local recording and wireless uploading of vehicle status data and monitoring data. It can also be used in conjunction with the center software to implement professional functions such as alarm linkage, evidence center, remote management, video playback, track analysis, etc., embodying features of high reliability, installation flexibility, and maintenance convenience.

The product supports extended AI functions, implementing the Advanced Driver Assistance System (ADAS) alarm, Blind Spot Detection (BSD), and Driver
© Streamax 2020. All Rights Reserved

Strengths

- Embedded Linux operating system
- AHD with AI function extension
- H.265/H.264 encoding and decoding to improve the memory space utilization
- 2.5-inch hard disk storage, hard disk heating & hard disk power-off protection technologies
- SD card backup
- Connection with storage units such as a fireproof box for disaster recovery backup
- Good anti-vibration performance and high reliability, providing comprehensive functions

Status Monitor (DSM), and effectively assists drivers to improve traffic safety and reduce pedestrian-motor vehicle accidents.

Specifications

Model			
	X5N-E0804		
Function Overview			
	Preview, video recording, playback, network transmission, and positioning		
System			
	Operating System	Linux 4.9	
	Control Mode	CP4, mouse, EasyCheck, and network (3G/4G/Wi-Fi)	
Video			
	Input	8-channel AHD + 4-channel IPC	
	Output	1-channel CVBS + 1-channel VGA	
	Total Resource	AHD: 8 × 720p @ 25 FPS (PAL) or 8 × 1080p @ 10 FPS (PAL) or 8 × 720p @ 30 FPS (NTSC) or 8 × 1080p @ 10 FPS (NTSC) IPC: 4 × 1080p @ 30 FPS	
	Video Signal Standard	Level: 1 Vpp; impedance: 75 ohm NTSC/PAL (optional)	
Audio			
	Input	8-channel AHD + 4-channel IPC	
	Output	2 channels	
	Audio Signal Standard	Level: 2 Vpp; input impedance: 4.7 kilohm	
Display			
	Display Split	1/4/9-screen display	
	Screen Display	Positioning information, alarms, license plate numbers, driving speed, time, etc.	
	Operating Interface	GUI	
Recording			
	Audio/Video	Video	H.264/H.265

Compression Format	Audio	ADPCM,G.711U,G.711A
	AHD:	
	PAL:	1080p (1920 × 1080), 720p (1280 × 720), WD1 (928 × 576), WHD1 (928 × 288), WCIF (464 × 288), D1 (704 × 576), HD1 (704 × 288), CIF (352 × 288);
Image Resolution	NTSC:	1080p (1920 × 1080), 720p (1280 × 720), WD1 (928 × 480), WHD1 (928 × 240), WCIF (464 × 240), D1 (704 × 480), HD1 (704 × 240), CIF (352 × 240);
	IPC:	1080p (1920 × 1080), 720p (1280 × 720);
Image Quality	Levels 1–8 adjustable (preferably Level 1)	
Recording Mode	Startup/Scheduled/Alarm event recording	
Alarm Prerecording	0-60 min	
Alarm Recording Delay	0-30 min	
Mirrored Recording	Supported	
Playback		
	Playback Channel	1-channel local playback
	Search Mode	By date/time, channel, or event
Network		
	3G/4G	EVDO/TD-SCDMA/WCDMA/TDD-LTE/FDD-LTE (optional)
	WIFI	W217 module. Supported protocol: 802.11a/b/g/n/ac
	Ethernet	1 × RJ45 (10/100 M/1000 M)
Positioning		
	GPS/BD	Positioning, speed detection, and time synchronization
Sensor		
	G-Sensor	Built-in 6-axis inertial sensor
Storage		
	HDD/SSD	1 × 2.5" SATA HDD or SSD, 7 mm/9.5 mm/15 mm thick, supporting hard disk heating
	SD	Hot-swapping 32/64/128/256 GB SDXC
Port		
	USB	1 × USB2.0 (Type A) + 1 × USB2.0 (Type B)
	SD	1 × SD card slot
	SIM	2 × SIM card slot
	Serial Port	2 × RS232, 3 × RS485 (1 × R-WATCH)
	IO	8-channel input and 2-channel output
	Pulse Speed Detection	1 channel
	Control Panel	CP4\CP5
	Intercom	1 × MIC port (CP4)
	VGA	1 × VGA
Power Supply		
	Input	DC 8-36V, ACC
	Output	5 V @ 500 mA & 12 V @ 500 mA
	Maximum Typical Power Consumption	70 W

Standby Power \approx 0 W
Consumption

Physical Characteristics

Dimensions (mm) 295 mm × 222 mm × 89 mm (with the bracket and rear shield)
Weight (kg) 3.2 kg (without hard disks)

Environment

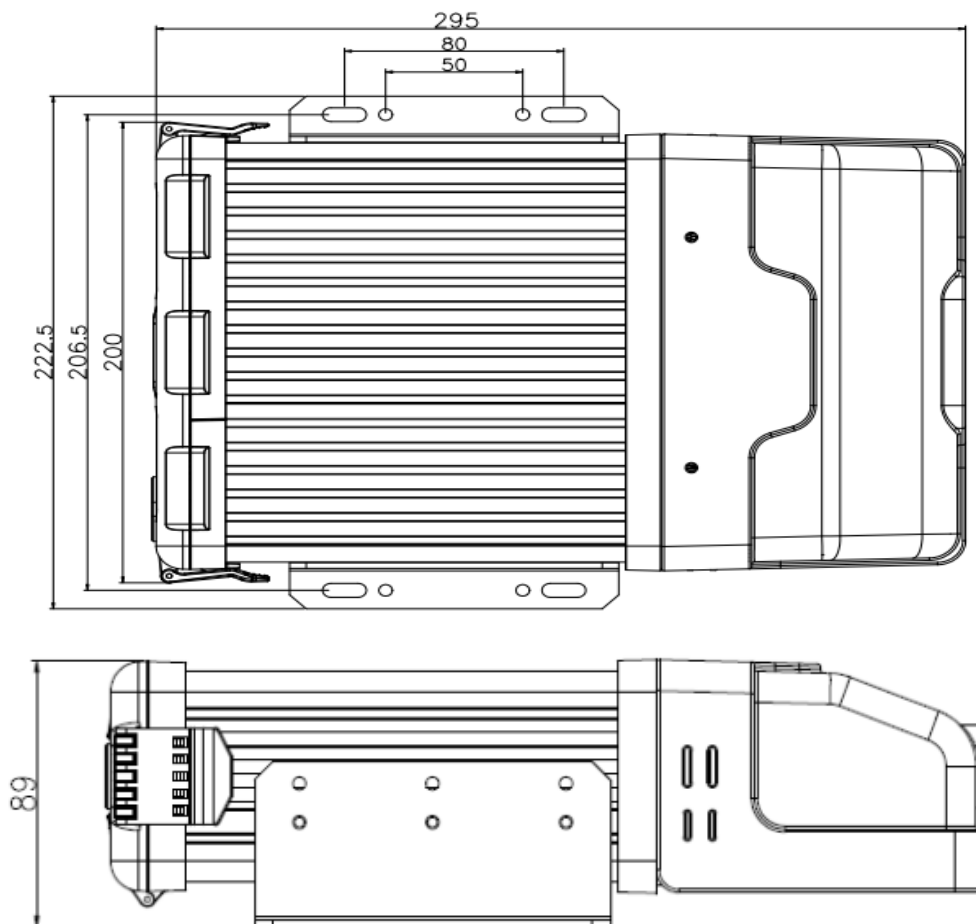
Operating Temperature -40°C to $+70^{\circ}\text{C}$ (heated, without hard disks)
Operating Humidity 8% to 95% (non-condensing)

AI

MDVR AI Streamax AHD camera CA29M (DSM) and CA20S3.0 (ADAS)

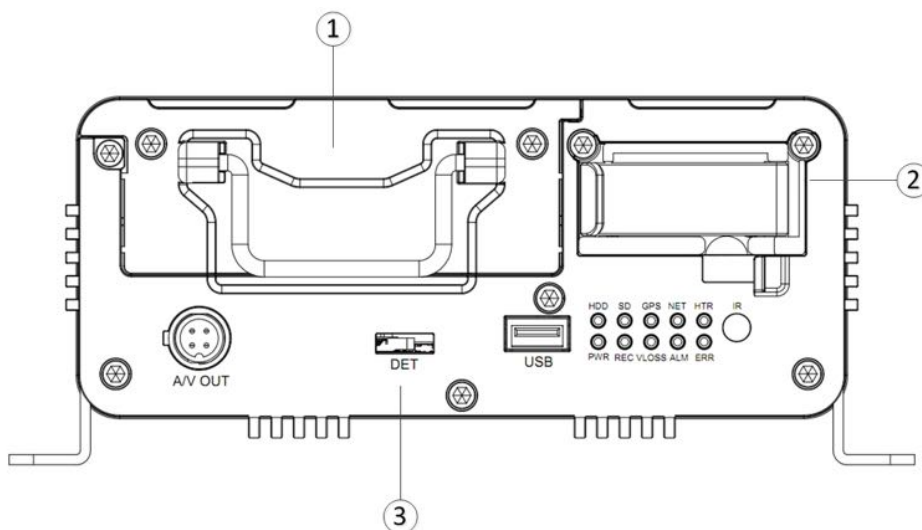
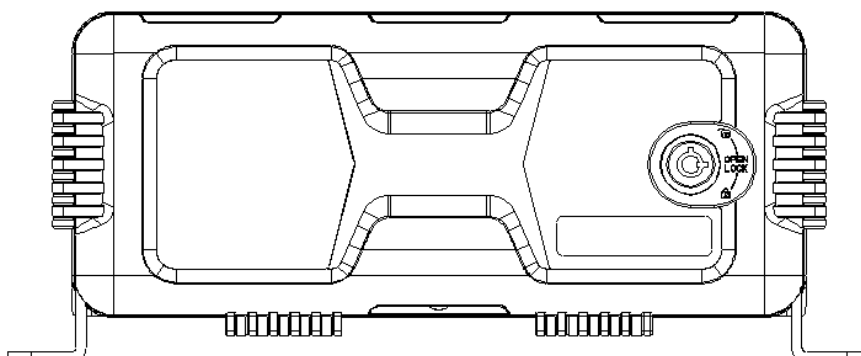
Dimensions

(unit: mm)



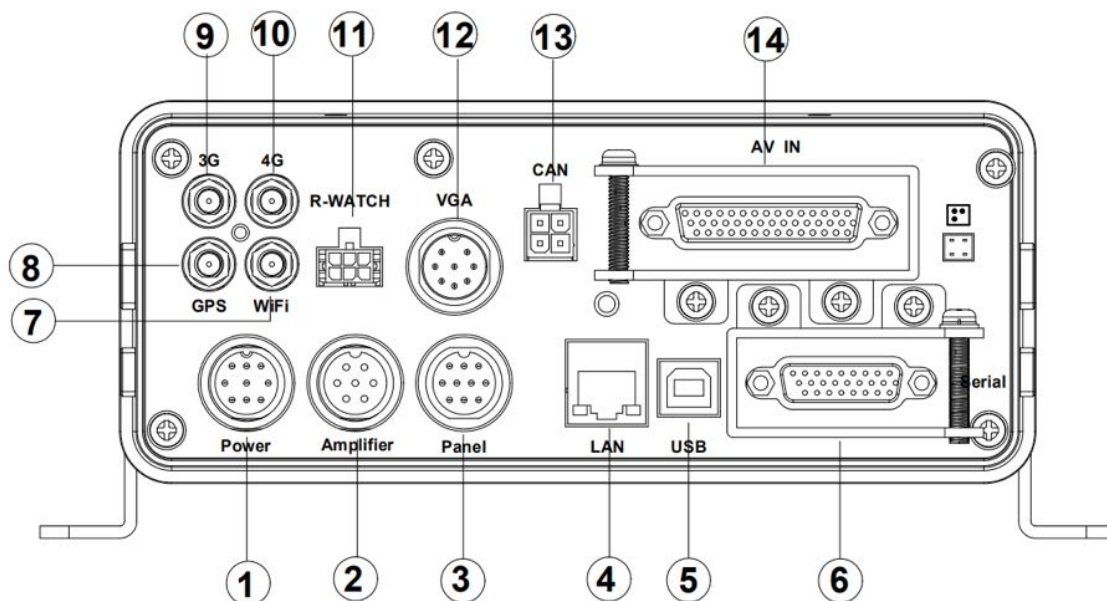
Panel Ports

Front panel



S/N	Name
1	Hard disk module
2	Communication module
3	Main module (including the AV OUT, DET, USB port, and indicator)

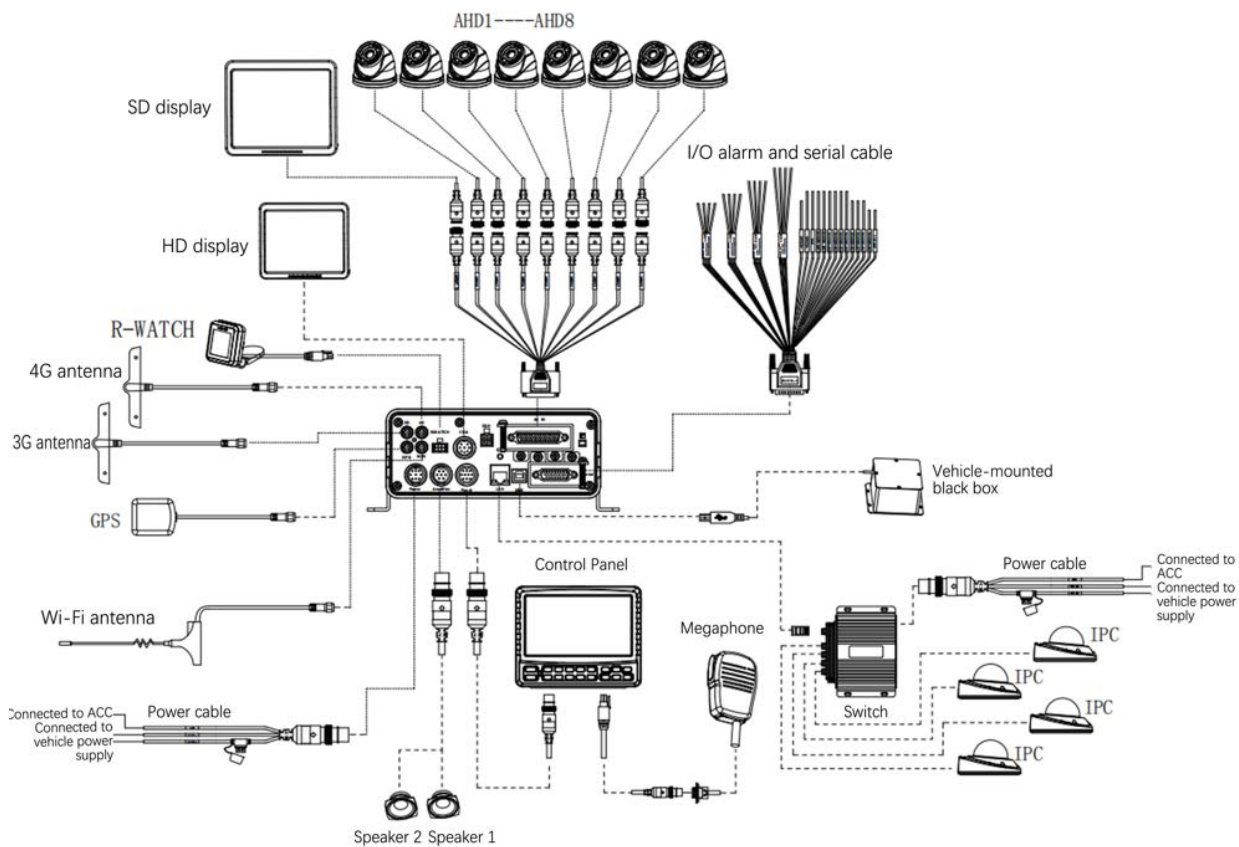
Rear panel:



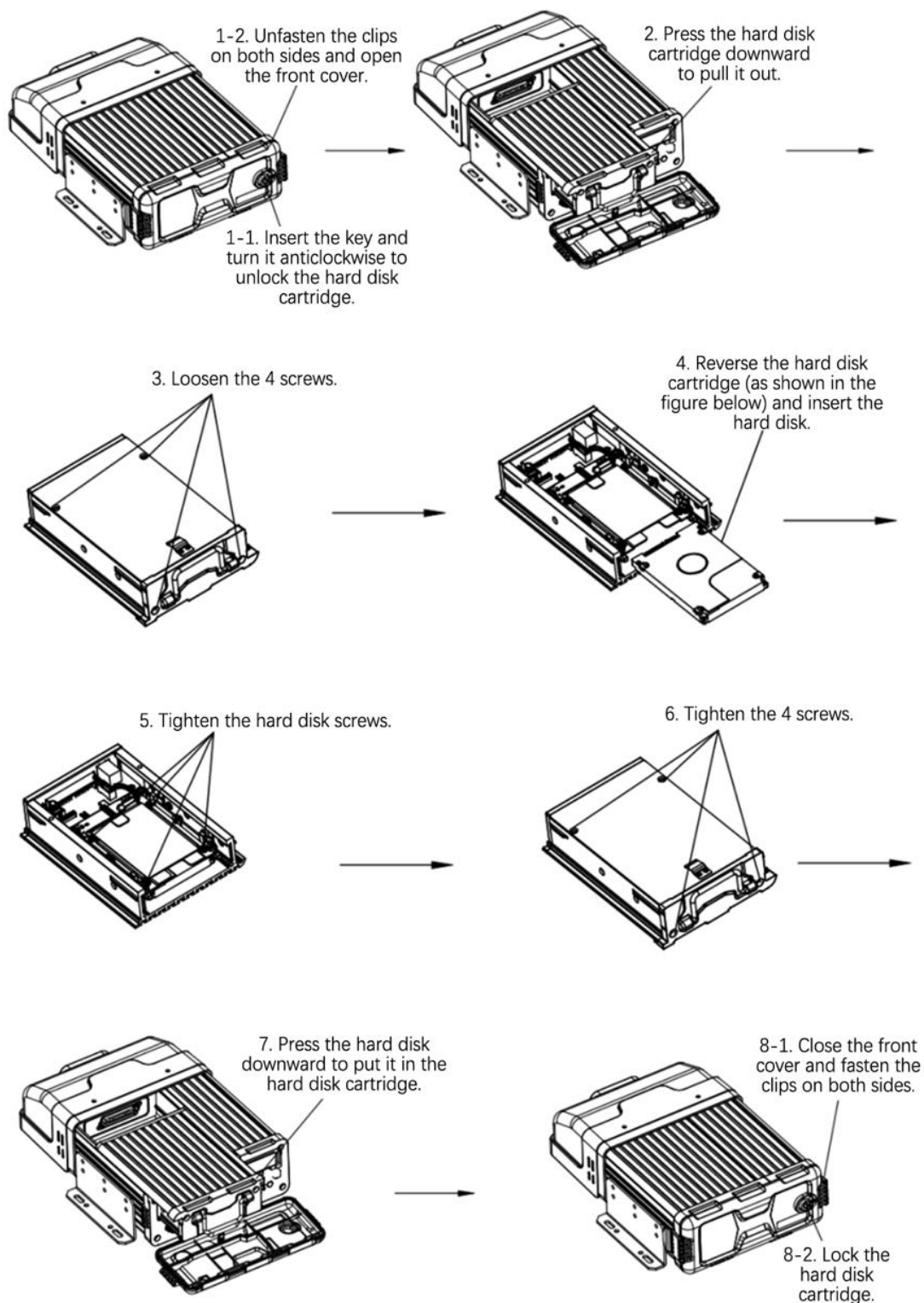
S/N	Silk Screen	Description
S/N	Silk Screen	Description
1	DC8-36V	Power input port
2	Amplifier	Power amplifier port
3	Panel	CP4 port
4	LAN	Network port
5	USB	USB port
6	Serial	Serial port
7	WIFI	Wi-Fi antenna connector
8	GPS	GPS antenna connector
9	3G	3G antenna connector
10	4G	4G antenna connector
11	R-WATCH	R-WATCH port
12	VGA	VGA port
13	CAN	CAN port

Installation

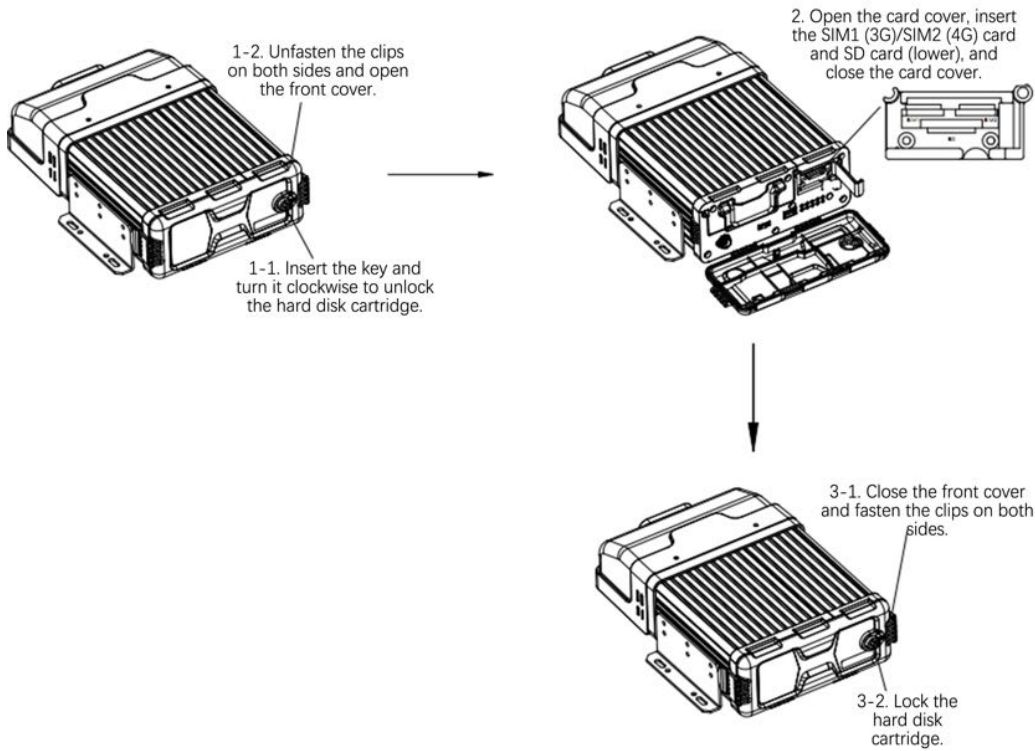
Typical Wiring Diagram



Hard Disk Installation

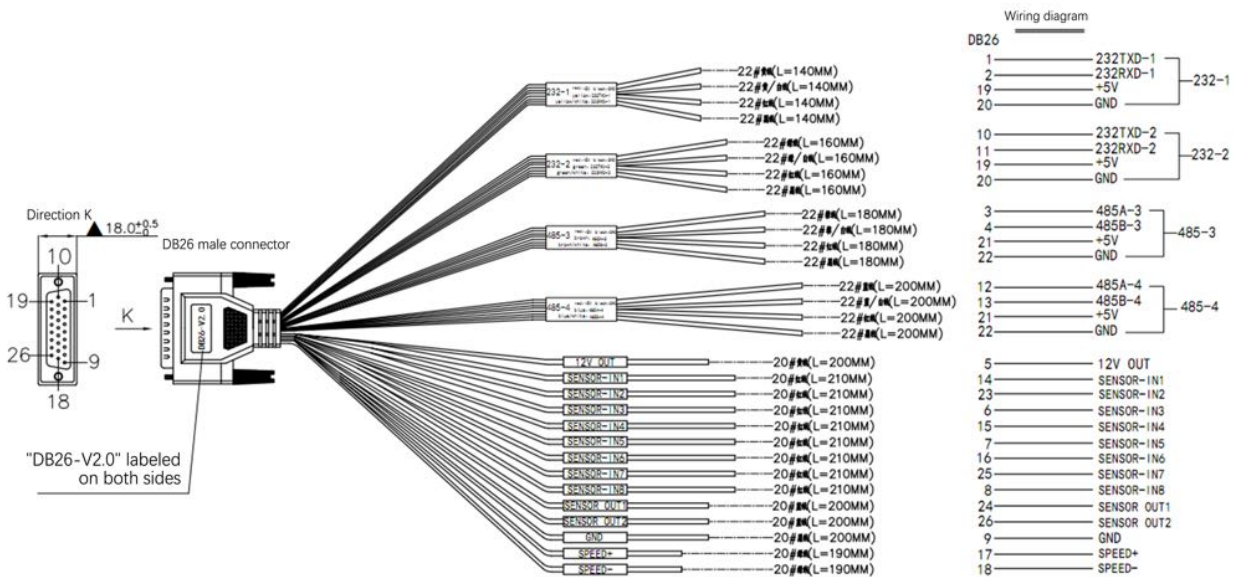


SIM Card Insertion

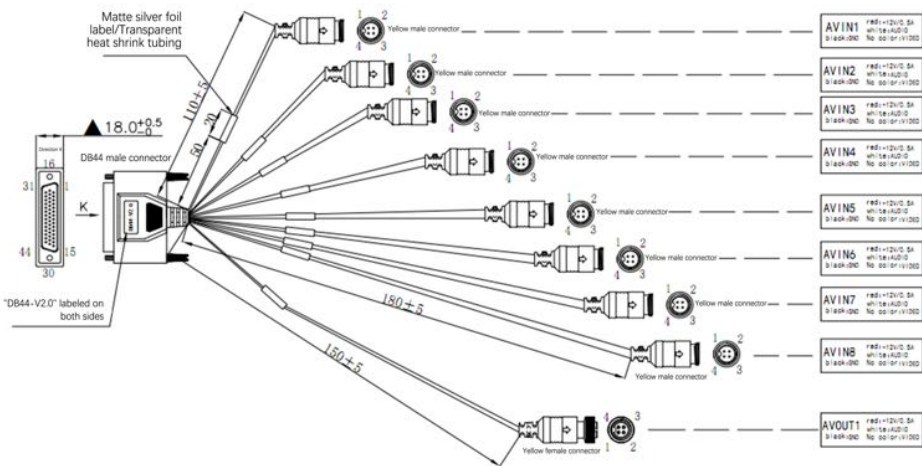


External Cable Connector Pinouts

Alarm and serial cable connector pinout



Video cable connector pinout



Label content:

AVIN1	1851+12V/0.5A 40118-AUG10 20 00 0P 11/1002
AVIN2	1851+12V/0.5A 40118-AUG10 20 00 0P 11/1002
AVIN3	1851+12V/0.5A 40118-AUG10 20 00 0P 11/1002
AVIN4	1851+12V/0.5A 40118-AUG10 20 00 0P 11/1002
AVIN5	1851+12V/0.5A 40118-AUG10 20 00 0P 11/1002
AVIN6	1851+12V/0.5A 40118-AUG10 20 00 0P 11/1002
AVIN7	1851+12V/0.5A 40118-AUG10 20 00 0P 11/1002
AVIN8	1851+12V/0.5A 40118-AUG10 20 00 0P 11/1002
AVOUT1	1851+12V/0.5A 40118-AUG10 20 00 0P 11/1002

Signal definition:

DB44			
1	Transparent	4	V1
2	White	3	A1
31	Red	1	+12V
16	Black	2	GND
3	Transparent	4	V2
18	White	3	A2
32	Red	1	+12V
17	Black	2	GND
4	Transparent	4	V3
33	White	3	A3
34	Red	1	+12V
19	Black	2	GND
5	Transparent	4	V4
6	White	3	A4
35	Red	1	+12V
20	Black	2	GND
7	Transparent	4	V5
37	White	3	A5
36	Red	1	+12V
21	Black	2	GND
8	Transparent	4	V6
23	White	3	A6
38	Red	1	+12V
22	Black	2	GND
9	Transparent	4	V7
10	White	3	A7
24	Red	1	+12V
24	Black	2	GND
11	Transparent	4	V8
26	White	3	A8
40	Red	1	+12V
25	Black	2	GND
30	None		
44	None		
43	None		
13	None		
15	None		
14	None		
12	Transparent	4	V1 OUT
42	White	3	A1 OUT
41	Red	1	+12V
27	Black	2	GND
29	None		
28	None		

MDVR Fails to Start

- ✧ Check the input power supply of the device by checking whether the power cable is correctly connected, whether the ground cable is connected to the battery, and whether the fuse in the power cable is intact.
- ✧ Check whether the ACC signal cable of the power supply device has a voltage (greater than 7 V).
- ✧ Check whether the key on the device is switched off.

MDVR Keeps Restarting

- ✧ Check whether the voltage is too low to start the device, causing the device to randomly restart.
- ✧ Hard disk/SD card failures may cause device startup failure. Remove the storage unit and turn on the device again to determine whether the storage unit is faulty.

Video Recording Does Not Work

- ✧ Check whether a storage unit is installed and in good contact and whether the storage unit can read data normally when connecting to a computer.
- ✧ The storage unit is not formatted. After the storage unit is inserted into our device, it needs to be formatted to perform normal data storage.
- ✧ Check whether there is a video signal input from the camera to the MDVR and whether there is a video image shown on the live view screen.

Video Files Have No Sound

- ✧ Check whether there is an external pickup connected or whether the camera features audio acquisition.
- ✧ Access the video channel settings and check whether the audio option is enabled.
- ✧ The channel that realizes the sound recording function must have video input and can perform video recording normally.

GPS Abnormality

- ✧ Check whether the GPS antenna is correctly installed and whether there is a GPS silk screen on the GPS antenna pedestal on the back of the MDVR.
- ✧ Check whether the antenna receiver is blocked. The antenna receiver must not be covered, or else signal

reception failure may occur as a result.

- ✧ The impacts caused by surrounding environments such as tree shelters, tunnels, driving near tall buildings and overpasses, thunderstorm weather, etc. may cause GPS signal loss or GPS to receive the wrong signal.

Device Cannot Be Shut Down in the Ignition Startup & Shutdown Mode

- ✧ Check whether the ACC signal cable connection is correct and whether there is no voltage on the ACC yellow line after the key is switched off.
- ✧ If the Timing Video Record is enabled and the current time has not exceeded the limit set in the recording time task table, the device cannot be shut down.

GPS Abnormality

- ✧ Check whether the GPS antenna is correctly installed and whether there is a GPS silk screen on the GPS antenna pedestal on the back of the MDVR.
- ✧ Check whether the antenna receiver is blocked. The antenna receiver must not be covered, or else signal reception failure may occur as a result.
- ✧ The impacts caused by surrounding environments such as tree shelters, tunnels, driving near tall buildings and overpasses, thunderstorm weather, etc. may cause GPS signal loss or GPS to receive the wrong signal.

Device Cannot Be Shut Down in the Ignition Startup & Shutdown Mode

- ✧ Check whether the ACC signal cable connection is correct and whether there is no voltage on the ACC yellow line after the key is switched off.
- ✧ If the Timing Video Record is enabled and the current time has not exceeded the limit set in the recording time task table, the device cannot be shut down.